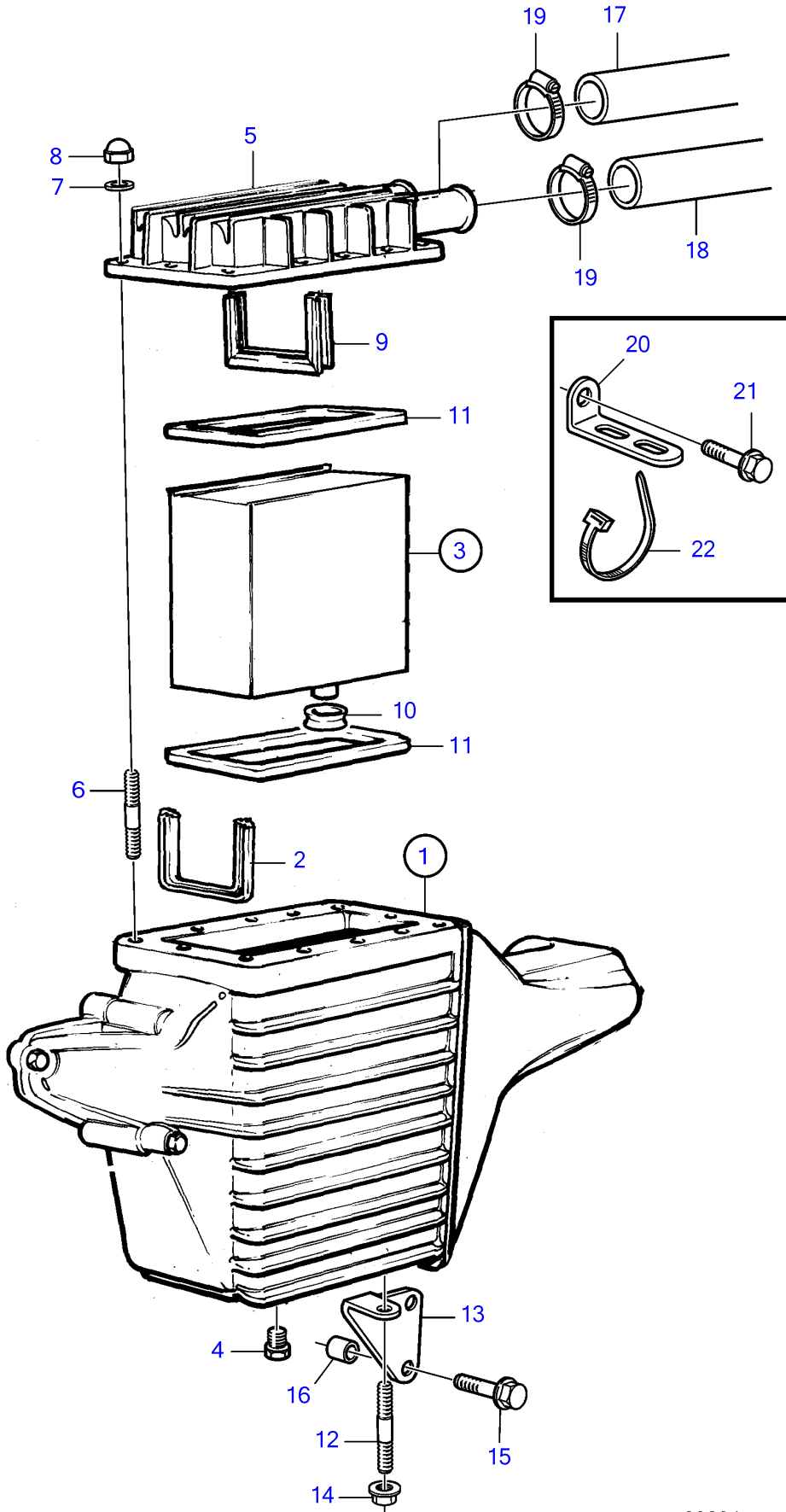


TAMD41H-A, TAMD41H-B, TAMD41P-A, TAMD41L-A, TAMD41M-A



TAMD41H-A, TAMD41H-B, TAMD41P-A, TAMD41L-A, TAMD41M-A

REF	PART NO.	QTY	DESCRIPTION	NOTES
1	861657	1	Housing	(861656)
2	3582639	1	• Sealing strip	
3	3582598	1	Insert	
4	861551	1	• Plug	
5	860409	1	Cover	
6	953036	12	Stud	
7	955893	12	Washer	
8	968458	12	Flange cap nut	
9	847573	1	Sealing strip	
10	858979	1	Sealing ring	
11	860920	2	Gasket	
12	953041	1	Stud	
13	858965	1	Bracket	
14	945408	1	Flange nut	
15	965226	2	Flange screw	
16	843122	2	Spacer sleeve	
17	860404	1	Hose	After cooler-oil cooler.
18	860645	1	Hose	Heat exchanger-after cooler., Not for engines in keel cooled version.
	860645	1	Hose	After cooler-outlet., For engines in with keel cooling.
19	943476	2	Hose clamp	
20	965562	1	Bracket	
21	946329	1	Flange screw	
22	948211	1	Cable tie	

7742700-26-1707

23091

Upd:2011-09-28